

# Introducing CheetahConnect PCB



0 to 260kfps AI-in-Imager

# Features & Block Diagram



## Overview:

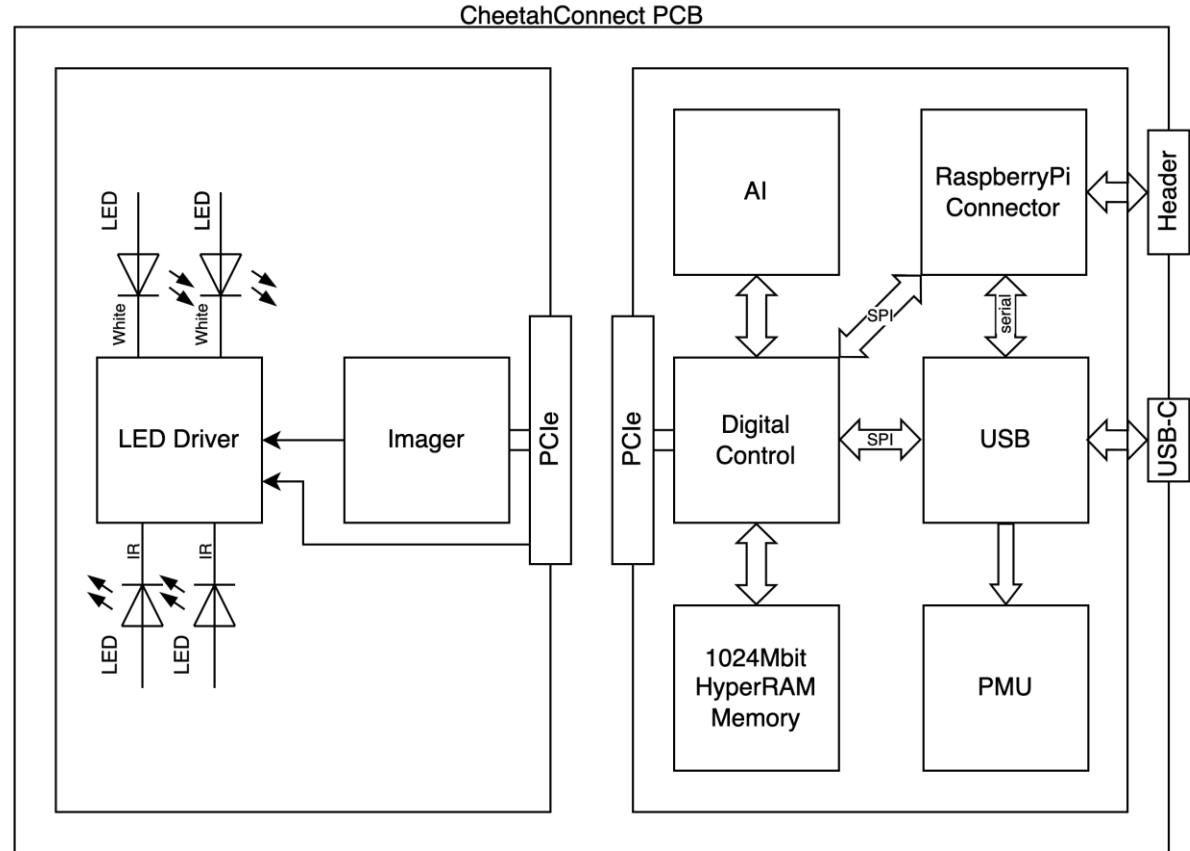
- 120x80 CMOS Image Sensor Array
- Super-resolution to QVGA
- MantisNet AI Inference Engine
- USB or IO Header
- AEC (automatic exposure control)
- Power Management
- LED Driver with Integrated LEDs
- High IR sensitivity (>70-% QE@850nm)

## Operating Modes:

- Resolution:
  - @80x120, up to 40kfps
  - @80x60 or 40x120, up to 77kfps
  - @40x60, up to 134kfps
  - @40x30, up to 260kfps

## Inference Engine:

- AES128/256 Operation
- P-192/256 ECDH (Elliptic Curve Diffie-Hellman) Key Generation



# CheetahConnect PCB

